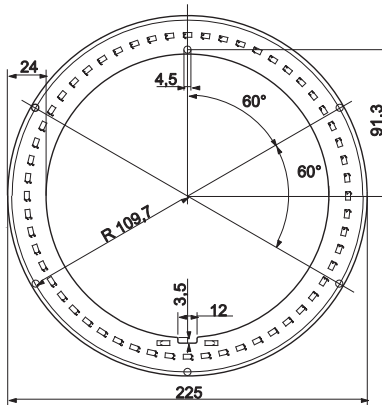
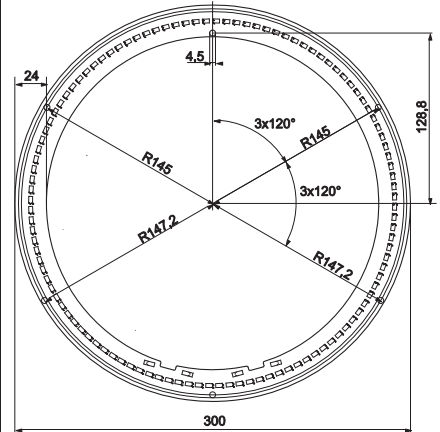


DR563129xxxx



DR563130xxxx



SMD-FR4-Leiterplatte Ø 225mm/24mm, 2x 1-polige AVX SMD Klemme
SMD-FR4-Leiterplatte Ø 300mm/24mm, 2-kanalig, 2x2 1-polige AVX SMD Klemme.
Beide Kanäle können separat geschaltet und gedimmt werden.
SMD-FR4-PCB Ø 225mm 2x 1-pole AVX SMD terminal
SMD-FR4-PCB Ø 300mm, 2-channel, 2x2 1-pole AVX SMD terminal.
For each channel separate switching and dimming is possible.



Technische Daten / specifications:

LED-Typ LED type	SMD LED 5630, 56 je Kanal SMD LED 5630, 56 per channel
Eingangsstrom input current	typ. 700mA (je Kanal)
Vorwärtsspannung forward voltage	max. 27,2Vdc (je Kanal)
Abstrahlwinkel beam angle	120°
Dimmbarkeit dimmability	dimmbar dimmable
Umgebungstemperatur (ta) ambient temperature (ta)	-20°C – +45°C
Gehäusetemperatur (tc) case temperature (tc)	max. 65°C
Schutzklasse safety class	III
Schutzart protection class	IP00
Material /-stärke material / thickness	FR4 / 1,5mm (+/- 10%) FR4 / 1,5mm (+/- 10%)
Abmessungen (Ø- Außen/ B) dimensions (Ø – outer/ W)	Ø 225mm/ 24mm, Ø 300mm/ 24mm
Leitungsquerschnitt Steckklemme	0,2 - 0,75 mm ²

conductor cross section plug terminal AWG 18 – 26

Folgende Angaben bei $t_j = 25^\circ\text{C}$ / following information at $t_j = 25^\circ\text{C}$

$\varnothing \times B$ $\varnothing \times W$	LED-Anzahl LED quantity	Eingangsstrom input current	typ. Nennleistung / Vf typ. rated power / Vf		Lichtstrom luminous flux	Farbtemp. colour temp.	CRI CRI	Artikel-Nr. item no.
225 x 24mm	56	350mA 500mA 700mA 1050mA	8,0W 12,0W 17,4W 27,0W	23,2Vdc 24,0Vdc 24,8Vdc 25,6Vdc	ca. 1250lm ca. 1730lm ca. 2400lm ca. 3395lm	typ. 2700K	>80	DR5631292700
225 x 24mm	56	350mA 500mA 700mA 1050mA	8,0W 12,0W 17,4W 27,0W	23,2Vdc 24,0Vdc 24,8Vdc 25,6Vdc	ca. 1270lm ca. 1760lm ca. 2440lm ca. 3465lm	typ. 3000K	>80	DR5631293000
225 x 24mm	56	350mA 500mA 700mA 1050mA	8,0W 12,0W 17,4W 27,0W	23,2Vdc 24,0Vdc 24,8Vdc 25,6Vdc	ca. 1350lm ca. 1870lm ca. 2600lm ca. 3670lm	typ. 4000K	>80	DR5631294000
225 x 24mm	56	350mA 500mA 700mA 1050mA	8,0W 12,0W 17,4W 27,0W	23,2Vdc 24,0Vdc 24,8Vdc 25,6Vdc	ca. 1350lm ca. 1870lm ca. 2600lm ca. 3670lm	typ. 4500K	>80	DR5631294500
225 x 24mm	56	350mA 500mA 700mA 1050mA	8,0W 12,0W 17,4W 27,0W	23,2Vdc 24,0Vdc 24,8Vdc 25,6Vdc	ca. 1370lm ca. 1900lm ca. 2640lm ca. 3700lm	typ. 5000K	>80	DR5631295000
225 x 24mm	56	350mA 500mA 700mA 1050mA	8,0W 12,0W 17,4W 27,0W	23,2Vdc 24,0Vdc 24,8Vdc 25,6Vdc	ca. 1370lm ca. 1900lm ca. 2640lm ca. 3700lm	typ. 5600K	>80	DR5631295600
225 x 24mm	56	350mA 500mA 700mA 1050mA	8,0W 12,0W 17,4W 27,0W	23,2Vdc 24,0Vdc 24,8Vdc 25,6Vdc	ca. 1370lm ca. 1900lm ca. 2640lm ca. 3700lm	typ. 6500K	>80	DR5631296500

$\varnothing \times B$ $\varnothing \times W$	LED-Anzahl LED quantity	Eingangsstrom input current	typ. Nennleistung / Vf typ. rated power / Vf		Lichtstrom luminous flux	Farbtemp. colour temp.	CRI CRI	Artikel-Nr. item no.
225 x 24mm	56	350mA 500mA 700mA 1050mA	8,0W 12,0W 17,4W 27,0W	23,2Vdc 24,0Vdc 24,8Vdc 25,6Vdc	ca.980lm ca. 1360lm ca. 1890lm ca. 2660lm	typ. 2700K	>90	DR5631292701
225 x 24mm	56	350mA 500mA 700mA 1050mA	8,0W 12,0W 17,4W 27,0W	23,2Vdc 24,0Vdc 24,8Vdc 25,6Vdc	ca.980lm ca. 1360lm ca. 1890lm ca. 2660lm	typ. 3000K	>90	DR5631293001
225 x 24mm	56	350mA 500mA 700mA 1050mA	8,0W 12,0W 17,4W 27,0W	23,2Vdc 24,0Vdc 24,8Vdc 25,6Vdc	ca. 1050lm ca. 1450lm ca. 2010lm ca. 2840lm	typ. 4000K	>90	DR5631294001

Folgende Angaben bei $t_j = 25^\circ\text{C}$ / following information at $t_j = 25^\circ\text{C}$

$\varnothing \times B$ $\varnothing \times W$	LED-Anzahl LED quantity	Eingangsstrom/ je Kanal input current/per channel	typ. Nennleistung / Vf je Kanal typ. rated power Vf/per channel		Lichtstrom je Kanal luminous flux per channel	Farbtemp. colour temp.	CRI CRI	Artikel-Nr. item no.
300 x 24mm	2x56	350mA 500mA 700mA 1050mA	8,0W 12,0W 17,4W 27,0W	23,2Vdc 24,0Vdc 24,8Vdc 25,6Vdc	ca. 1250lm ca. 1730lm ca. 2400lm ca. 3395lm	typ. 2700K	>80	DR5631302700
300 x 24mm	2x56	350mA 500mA 700mA 1050mA	8,0W 12,0W 17,4W 27,0W	23,2Vdc 24,0Vdc 24,8Vdc 25,6Vdc	ca. 1270lm ca. 1760lm ca. 2440lm ca. 3465lm	typ. 3000K	>80	DR5631303000
300 x 24mm	2x56	350mA 500mA 700mA 1050mA	8,0W 12,0W 17,4W 27,0W	23,2Vdc 24,0Vdc 24,8Vdc 25,6Vdc	ca. 1370lm ca. 1900lm ca. 2640lm ca. 3735lm	typ. 4000K	>80	DR5631304000
300 x 24mm	2x56	350mA 500mA 700mA 1050mA	8,0W 12,0W 17,4W 27,0W	23,2Vdc 24,0Vdc 24,8Vdc 25,6Vdc	ca. 1370lm ca. 1900lm ca. 2640lm ca. 3735lm	typ. 4500K	>80	DR5631304500
300 x 24mm	2x56	350mA 500mA 700mA 1050mA	8,0W 12,0W 17,4W 27,0W	23,2Vdc 24,0Vdc 24,8Vdc 25,6Vdc	ca. 1370lm ca. 1900lm ca. 2640lm ca. 3735lm	typ. 5000K	>80	DR5631305000
300 x 24mm	2x56	350mA 500mA 700mA 1050mA	8,0W 12,0W 17,4W 27,0W	23,2Vdc 24,0Vdc 24,8Vdc 25,6Vdc	ca. 1370lm ca. 1900lm ca. 2640lm ca. 3735lm	typ. 5600K	>80	DR5631305600
300 x 24mm	2x56	350mA 500mA 700mA 1050mA	8,0W 12,0W 17,4W 27,0W	23,2Vdc 24,0Vdc 24,8Vdc 25,6Vdc	ca. 1370lm ca. 1900lm ca. 2640lm ca. 3735lm	typ. 6500K	>80	DR5631306500

$\varnothing \times B$ $\varnothing \times W$	LED-Anzahl LED quantity	Eingangsstrom/ je Kanal input current/per channel	typ. Nennleistung / Vf je Kanal typ. rated power Vf/per channel		Lichtstrom je Kanal luminous flux per channel	Farbtemp. colour temp.	CRI CRI	Artikel-Nr. item no.
300 x 24mm	2x56	350mA 500mA 700mA 1050mA	8,0W 12,0W 17,4W 27,0W	23,2Vdc 24,0Vdc 24,8Vdc 25,6Vdc	ca. 980lm ca. 1360lm ca. 1890lm ca. 2660lm	typ. 2700K	>90	DR5631302701
300 x 24mm	2x56	350mA 500mA 700mA 1050mA	8,0W 12,0W 17,4W 27,0W	23,2Vdc 24,0Vdc 24,8Vdc 25,6Vdc	ca. 980lm ca. 1360lm ca. 1890lm ca. 2660lm	typ. 3000K	>90	DR5631303001
300 x 24mm	2x56	350mA 500mA 700mA 1050mA	8,0W 12,0W 17,4W 27,0W	23,2Vdc 24,0Vdc 24,8Vdc 25,6Vdc	ca. 1050lm ca. 1450lm ca. 2010lm ca. 2840lm	typ. 4000K	>90	DR5631304001

$\varnothing \times B$ $\varnothing \times W$	LED-Anzahl LED quantity	Eingangsstrom/ je Kanal input current/per channel	typ. Nennleistung / Vf je Kanal typ. rated power Vf/per channel		Lichtstrom je Kanal luminous flux per channel	Farbtemp. colour temp.	CRI CRI	Artikel-Nr. item no.
300 x 24mm	56	350mA 500mA 700mA 1050mA	8,0W 12,0W 17,4W 27,0W	23,2Vdc 24,0Vdc 24,8Vdc 25,6Vdc	ca. 1250lm ca. 1730lm ca. 2400lm ca. 3395lm	typ. 2700K	>80	DR5631302765

300 x 24mm	56	350mA 500mA 700mA 1050mA	8,0W 12,0W 17,4W 27,0W	23,2Vdc 24,0Vdc 24,8Vdc 25,6Vdc	ca. 1370lm ca. 1900lm ca. 2640lm ca. 3735lm	typ. 6500K	>80	
---------------	----	-----------------------------------	---------------------------------	--	--	------------	-----	--

Bei Einbau der Leiterplatte muss darauf geachtet werden, dass eine ausreichende Wärmeableitung stattfinden kann.

When installing the PCB sufficient heat dissipation has to be guaranteed.

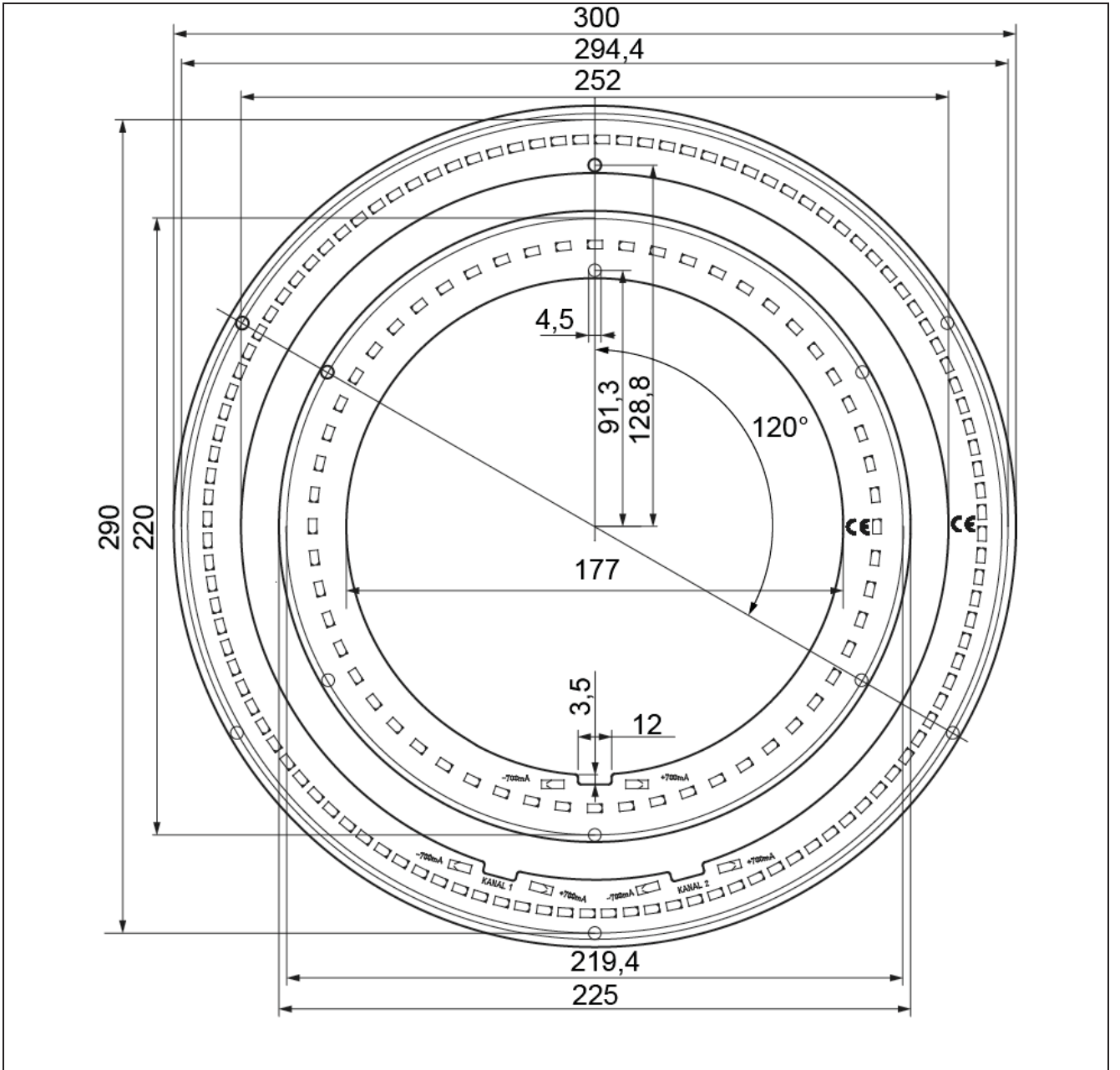
Ökodesign-Richtlinie / ecodesign directive

Einstufung durchgeführt gemäß
classification according to

2009/125/EG
2009/125/EC

Energieeffizienzklasse
energy efficiency class

A+



LEaD LiGHT

Experts in LED

LEaD LIGHT GmbH

Hoogeweg 132
47623 Kevelaer

Tel.: +49 2832/975208-0
Fax: +49 2832/975208-88

Web: www.LEaD-LIGHT.de
Mail: info@LEaD-LIGHT.de