

# ArcSource Outdoor 4MC

The ArcSource Outdoor 4MC™ offers a high light output from the latest LED multichip technology, along with a full range of precision optics. With an IP rating of 67 this product is ideal for outdoor lighting applications, offering solutions to many landscape lighting scenarios. With its stirrup mounting the product has a complete range of movement, which can easily be fixed to stop once product is in the ideal position. Landscape accessories such as the ground spike ensure a wide range of installation options.



## TECHNICAL SPECIFICATIONS:

### ELECTRICAL

Input Voltage 48V DC  
Typical Power Consumption 6W @ 350mA (10W @ 700mA)

### OPTICAL

Light Source 1 x 10W Multi-Chip LED  
Colour Variants RGBW (W=CW-6500K, NW-4200K), PW (3200K, 6500K), SW (2700-6500K)  
Lumen Output (Delivered) Red/Green/Blue/White, Pure White, Smart White  
Beam Angle 364lm (RGBCW at 11°, 700mA)  
Projected Lumen Maintenance 11°, 26°, 36°  
50,000 hrs ( L70 @ 25°C / 77°F )

### CONTROL

Wireless DMX (Optional Accessory) N/A  
Control System Anolis Lighting Controls or any Third Party DMX512 Controllers  
Power Supply ArcPower Range  
Stand Alone Control N/A

### PHYSICAL

Width x Height x Depth Inches: 2.52 x 4.49 (5.71) x 3.54  
mm: 64 x 114 (145) x 90  
Weight lbs: 1.37  
kg: 0.62  
Housing High Pressure Die-Cast Aluminium Body  
Tempered Glass  
Finish Option Silver (STD), Black/White/custom RAL (cost option)  
Fixture Cable and Connections LiYY 8xAWG22 - 0.5m Long (1.64ft) - Chogori IP68 Connector  
Fixing Method Mounting Plate (3 Fixing Holes) Spike Option  
Adjustability +/-60° (+80° -90° with Leg Adaptor)  
IP Rating IP67  
IK Rating IK\*\*  
Cooling System Convection  
Operating Ambient Temperature -20°C / +45°C (-4°F / +113°F)  
Operating Temperature +75°C @ Ambient +50°C (+167°F @ Ambient +122°F )

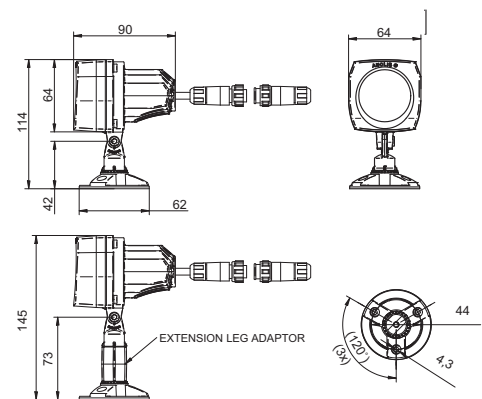
### CERTIFICATION

Listings ETL / cETL, CE, RoHS

### ACCESSORIES

Allen Key (Included)  
Connector Chogori CGRBDU-08BFFA (Female) IP68 (included)  
Adaptor Stand (included)  
Screw M5x45 (Included)

## DIMENSIONS (in mm):



### ACCESSORIES

Land Spike Single (100mm)  
Land Spike Twin (100mm)  
Land Spike Single (500mm)  
Land Spike Twin (500mm)  
Land Spike Triple (500mm)  
Top Hat, Half Top Hat  
Connector Chogori CGRBDU-08BFFA (Female) IP68  
Connector Chogori CGRBDU-08BMMMA (Male) IP68  
Connector Chogori T Piece  
Connector Waterproof Cap (Male)  
Cable Chogori (Female) - RJ45 0.25m  
Cable Chogori (Female) - RJ45 3m  
Cable Chogori (Female) - RJ45 7m  
Cable Chogori (Female) - RJ45 15m  
Cable Chogori (Female) - RJ45 20m  
Cable Chogori (Female) - Chogori (Male) 3m  
other lengths on request

# LEaD LiGHT

Experts in LED

**LEaD LIGHT GmbH**

Hoogeweg 132  
47623 Kevelaer

Tel.: +49 2832/975208-0  
Fax: +49 2832/975208-88

Web: [www.LEaD-LIGHT.de](http://www.LEaD-LIGHT.de)  
Mail: [info@LEaD-LIGHT.de](mailto:info@LEaD-LIGHT.de)