

ArcSource Outdoor 4MC Pixel

The ArcSource Outdoor 4MC Pixel™ features all the benefits of the highly popular ArcSource Outdoor 4MC™, high light output, the latest multichip technology, precision optics, high IP Rating and versatile mounting. The stirrup now combined with Anolis' excellent pixel control electronics makes this product even more versatile.

Individual colour/dimming control of each ArcSource Outdoor 4MC Pixel™ is now possible when connected to the ArcPixel Power™. Dynamic media style effects can be created and added to your landscape or facade installations.



TECHNICAL SPECIFICATIONS:

ELECTRICAL

Input Voltage 48V
Typical Power Consumption 5.5W/48V

OPTICAL

Light Source 1x 15W RGBW Multichip LED
RGBCW (CW-6300K), PW (6300K), SW (2700-7100K)
Colour Variant Red/Green/Blue/White, Pure White, Smart White
Beam Angle 7°, 24°, 34°, 42°x7°, 7°x42°
Lumen Output (Delivered)
Projected Lumen Maintenance 50,000 hrs (L70@ 25°C / 77°F)

CONTROL

Wireless DMX (Optional Accessory) N/A
Control System ArcPixel Power
Power Supply ArcPixel Power
Stand Alone Control N/A

PHYSICAL

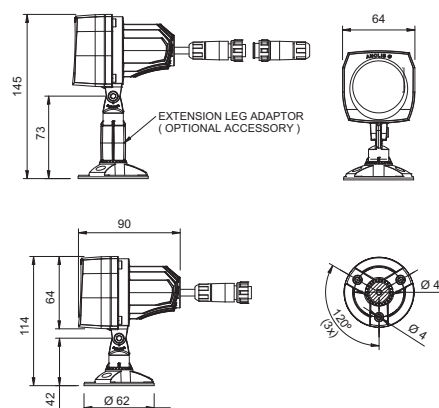
Dimensions (W x H x D) Inches: 2.52 x 4.49 (5.71) x 3.54
mm: 64 x 114 (145) x 90
Weight lbs: 1.37
kg: 0.62
Housing High Pressure Die-Cast Aluminum Body
Tempered Glass
Finish Options Silver, Black/White/Custom RAL (cost option)
Fixture Cable and Connections Li9Y11Y, 2xAWG16+1xAWG 20
Fixing Method Mounting Plate (3 Fixing Holes), Spike Option
Adjustability +/-60° (+80° /-90° with Adaptor Plate)
IP Rating IP 65
Impact Rating IK**
Cooling System Convection
Operating Ambient Temperature -20°C / +45°C (-4°F / +113°F)
Operating Temperature +75°C @ Ambient +50°C (+167°F @ Ambient +122°F)

CERTIFICATION

Listings ETL / cETL, CE, RoHS



DIMENSIONS (in mm):



ACCESSORIES

Adaptor Stand (included)
Allen Key (Included)
Screw M5x45 (Included)
Land Spike Single (100mm)
Land Spike Twin (100mm)
Land Spike Single (500mm)
Land Spike Twin (500mm)
Lamp Spike Triple (500mm)
Connector Chogori C6RB0U-03BFFA (Female) IP68
Connector Chogori T Piece 3-pin
Connector Waterproof Cap (Male)
Cable Chogori (Female) - Chogori (Male) 3m
other lengths on request
Active Terminator (for ArcDot)
Passive Terminator (for ArcDot)
Ferrite 6TFC 16-8-16 (for ArcDot) - CE only

LEaD LiGHT

Experts in LED

LEaD LIGHT GmbH

Hoogeweg 132
47623 Kevelaer

Tel.: +49 2832/975208-0
Fax: +49 2832/975208-88

Web: www.LEaD-LIGHT.de
Mail: info@LEaD-LIGHT.de