

ArcSource 1, ArcSource 1MC

The Anolis ArcSource 1™ is a single colour high powered LED fixture utilising the latest high output LED. Available in 4 optical formats, marker, beam, wide or shield, the ArcSource 1™ has integrated electronic control allowing the fixture to operate on a range of AC/DC input voltages; the onboard electronic control also ensures that constant output intensity is maintained through all fixtures no matter where they are located in relation to the power supply.

The new Anolis ArcSource 1MC™, utilizes the latest LED multichip technology. The multichip LED offers seamless colour mixing offering the best homogeneous colour output from a single point source. The Anolis ArcSource 1MC™ is powered by the Anolis ArcPower range of drivers.



TECHNICAL SPECIFICATIONS:

ELECTRICAL

Input Voltage 9-35V DC or 6-24V AC (ArcSource 1 Only)
Typical Power Consumption (1.6W ArcSource 1) (4.4W ArcSource 1MC)

OPTICAL

Light Source (1 x High Power Single Colour LED ArcSource 1) (1 x Multichip LED ArcSource 1MC)
Colour Variants RGBW (W=CW-6500K, NW-4200K ArcSource 1MC)
PW (3200K, 6500K ArcSource 1) (3200K, 6500K ArcSource 1MC)
SW (2700-6500K ArcSource 1MC)
Red/Green/Blue/White, Pure White, Smart White (ArcSource 1MC)
Lumen Output (Delivered) 54lm (CW at 9°, ArcSource 1), 126lm (RGBCW at 27°, ArcSource 1MC)
Beam Angle (9°, 25°, SuperWide, Shield ArcSource 1) (27°, 35° ArcSource 1MC)
Projected Lumen Maintenance (50,000 hrs (ArcSource 1) 60,000 hrs (ArcSource 1MC) (L70@ 25°C / 77°F)

CONTROL

Wireless DMX (Optional Accessory) N/A
Control System N/A
Power Supply (9-35V DC or 6-24V AC ArcSource 1) (ArcPower Range ArcSource 1MC)
Stand Alone Control N/A

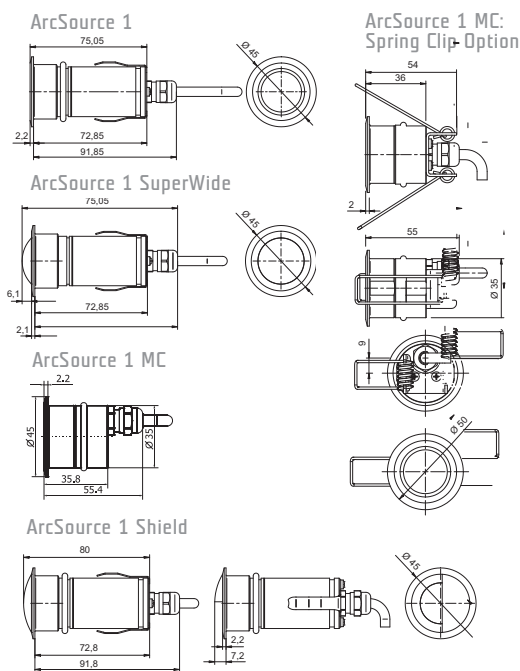
PHYSICAL

Width x Height x Depth Inches: (3.62 x Ø1.77 ArcSource 1) (2.18 x Ø 1.77 ArcSource 1MC)
mm: (92 x Ø45 ArcSource 1) (55.4 x Ø45 ArcSource 1MC)
Weight lbs: (0.66 ArcSource 1) (0.44 ArcSource 1MC)
kg: (0.3 ArcSource 1) (0.2 ArcSource 1MC)
Housing Stainless Steel Top Flange Brass Housing
Tempered Glass
Fixture Cable and Connections ArcSource 1 - Dflflex Robust Z10 Cable, 2x 0.5mm² - 1m Long (3.3ft)
ArcSource 1MC - LiYY 8xAWG22 - 0.5m Long (1.64ft) - Chogori IP68 Connector (Spring Clips ArcSource 1) (Rubber Seal ArcSource 1MC)
Fixing Method N/A
Adjustability N/A
IP Rating IP68
IK Rating IK10
Cooling System Convection
Operating Ambient Temperature -20°C / +40°C [-4°F / +104°F]
Operating Temperature +75°C @ Ambient +40°C [+167°F @ Ambient +104°F] -(ArcSource 1MC)

CERTIFICATION

Listings (ETL / cETL ArcSource 1MC Only), CE, RoHS

DIMENSIONS (in mm):



ACCESSORIES (Accessories for ArcSource 1MC Only)

Splitter 1pcs (See Splitter Technical Guide) (Included)
Connector Chogori CGRBDU-08BFFA (Female) IP68 (Included)
Connector Chogori CGRBDU-08BMMA (Male) IP68
Connector Chogori T Piece
Connector Waterproof Cap (Male)
Cable Chogori (Female) - RJ45 3m
Cable Chogori (Female) - RJ45 7m
Cable Chogori (Female) - RJ45 15m
Cable Chogori (Female) - RJ45 20m
other lengths on request
Spring Clip

LEaD LiGHT

Experts in LED

LEaD LIGHT GmbH

Hoogeweg 132
47623 Kevelaer

Tel.: +49 2832/975208-0
Fax: +49 2832/975208-88

Web: www.LEaD-LIGHT.de
Mail: info@LEaD-LIGHT.de