

## ArcPix

Utilizing a high efficient Mid power LED chip ArcPix™ is a compact RGB LED node suitable for both interior and exterior applications, plug and play electronics allow for complex pixel mapping and media effects to be achieved on structural surfaces and building facades. Up to 400 units can be combined with a single ArcPixel Power unit providing the flexibility to create dramatic visual effects.



### TECHNICAL SPECIFICATIONS:

#### ELECTRICAL

Input Voltage 48V DC  
Typical Power Consumption 0.8W

#### OPTICAL

Light Source 1 x MC Mid Power LED  
Colour Variants RGB  
Red, Green, Blue  
Lumen Output (Delivered) 24lm (RGB, non optic)  
Beam Angle Non Optic  
Projected Lumen Maintenance 50,000 hrs ( L50@ 50°C / 122°F)

#### CONTROL

Wireless DMX (Optional Accessory) N/A  
Control System Media Server  
Power Supply ArcPixel Power  
Stand Alone Control N/A

#### PHYSICAL

Width x Height Inches: Ø2.21 x 0.95 [0.83 w/out mounting plate]  
mm: Ø56 x 24 [21 w/out mounting plate]  
Weight lbs: 0.44  
kg: 0.2  
Housing Moulded Plastic  
Polycarbonate Cover  
Fixture Cable and Connections 5 Wire Flat Cable AWM 295720AWG - Factory Fitted Connector  
Mounting Method Mounting Plate or Direct fixing  
Adjustability N/A  
IP Rating IP67  
Impact Rating N/A  
Cooling System Convection  
Operating Ambient Temperature -20°C / +50°C [-4°F / +122°F]  
Operating Temperature +50°C @ Ambient +40°C [+122°F @ Ambient +104°F]

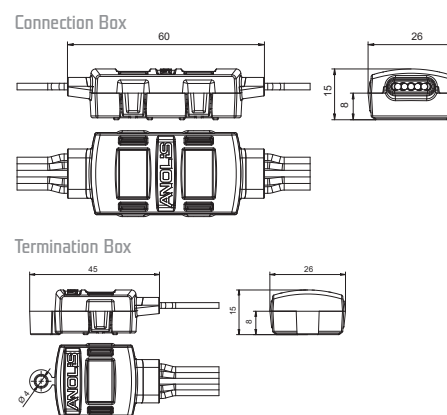
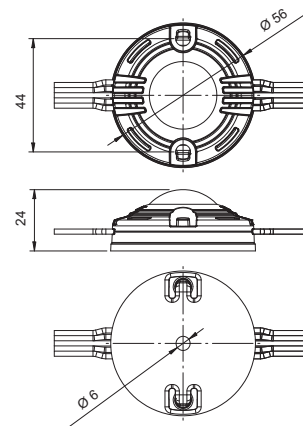
#### CERTIFICATION

Listings ETL / cETL, CE, RoHS

#### ACCESSORIES

Connection Cable (In meters)  
Connection Box  
Termination Box (1 Per Run)

### DIMENSIONS (in mm):



# LEaD LiGHT

Experts in LED

**LEaD LIGHT GmbH**

Hoogeweg 132  
47623 Kevelaer

Tel.: +49 2832/975208-0  
Fax: +49 2832/975208-88

Web: [www.LEaD-LIGHT.de](http://www.LEaD-LIGHT.de)  
Mail: [info@LEaD-LIGHT.de](mailto:info@LEaD-LIGHT.de)