

ArcPad 94 Integral

ArcPad 94 Integral™ is an LED outdoor fixture, LEDs are densely populated producing a high light output. ArcPad 94 Integral™ is an ideal fixture to illuminate tall buildings and structures. The RGBW LED configuration delivers stunning light quality not seen in other competitive products on the market.



TECHNICAL SPECIFICATIONS:

ELECTRICAL

Input Voltage 100-240V AC 50/60 Hz (277V cost option)
Typical Power Consumption 290W +/-10%

OPTICAL

Light Source 94 x High Power LEDs
Colour Variants RGBW (W=WW-3200K, CW-6500K), PW (3200K, 4300K, 6500K), SW (3200-6500K), R, G, B, A, Red/Green/Blue/White, Red, Green, Blue, Amber, Pure White, Smart White
Lumen Output (Delivered) 8054lm (RGBCW at 10°), 14677lm (PW 3200K at 10°)
Beam Angle 10°, 23°, 44°, 14°x26°
Projected Lumen Maintenance 77,000 hrs (L70@ 25°C / 77°F)

CONTROL

Interface Protocol USITT DMX512 RDM
Wireless DMX (Optional Accessory) Lumen Radio CRMX Technology
Control System Anolis Lighting Controls or any Third Party DMX512 Controllers
Power Supply Integral (standard), Extended (optional)
Stand Alone Control Yes

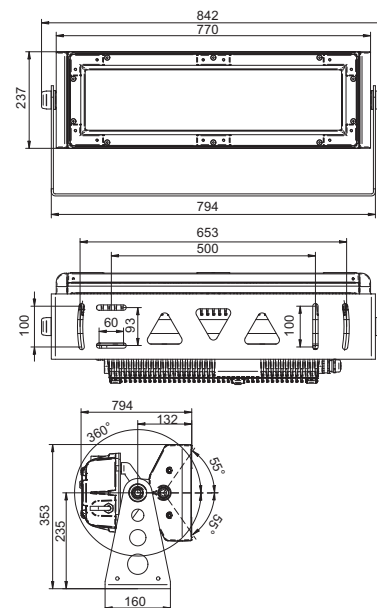
PHYSICAL

Width x Height x Depth Inches: 33.15 x 13.9 x 10.67
mm: 842 x 353 x 271
Weight lbs: 86
kg: 39
Housing High Pressure Die-Cast Aluminium Body
Tempered Glass
Finish Options Silver (STD), Black/White/custom RAL (cost option)
Fixture Cable and Connections Li9YC11Y - 3xAWG16+1 (2xAWG24) + Junction Box
Fixing Method Stirrup
Adjustability +/-180°
IP Rating IP67 (IP66 Junction Box)
IK Rating IK**
Cooling System Convection
Operating Ambient Temperature -20°C / +40°C [-4°F / +104°F]
Operating Temperature +85°C @ Ambient +40°C [+185°F @ Ambient +104°F]

CERTIFICATION

Listings ETL / cETL, CE, RoHS

DIMENSIONS (in mm):



ACCESSORIES

Junction Box (included)
Gasket Cable Grommet M20 (included)
Barn Doors
Top Hat
Half Top Hat

LEaD LiGHT

Experts in LED

LEaD LIGHT GmbH

Hoogeweg 132
47623 Kevelaer

Tel.: +49 2832/975208-0
Fax: +49 2832/975208-88

Web: www.LEaD-LIGHT.de
Mail: info@LEaD-LIGHT.de