

## ArcDot

The Anolis ArcDot™ is RGBW multichip-based high-powered multicoloured LED fixture. The unit's high light output can be pixel mapped and therefore control large scale matrix applications, as well as individual illuminating needs. It features an integrated intelligent electronic control system that guarantees flicker-free driving, overheat protection. Together with remote addressing, calibration and status messaging with the power supply unit, it ensures easy remote maintenance and long-term reliability. IP67 rated precision turned aluminum housing with frosted UV stable polycarbonate dome allows flexible solutions to both interior and exterior environments.



### TECHNICAL SPECIFICATIONS:

#### ELECTRICAL

Input Voltage 48V DC  
Typical Power Consumption 5.5W

#### OPTICAL

Light Source 1x 10W MC LED  
RGBW (W=CW-6500K), PW (3200K, 6500K), SW (2700-6500K)  
Colour Variants RGBW, Pure White, Smart White  
Lumen Output (Delivered) 74lm (RGBCW, non optic, Opal Polycarbonate Dome)  
Beam Angle Non Optic  
Projected Lumen Maintenance 50,000 hrs (L70@ 25°C / 77°F)

#### CONTROL

Wireless DMX (Optional Accessory) N/A  
Control System Media Server  
Power Supply ArcPixel Power  
Stand Alone Control N/A

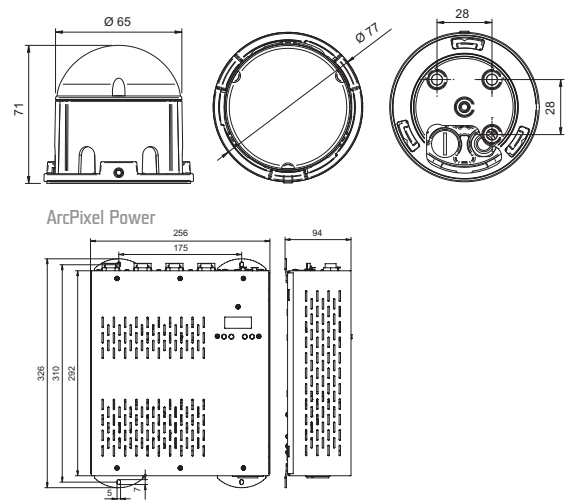
#### PHYSICAL

Width x Height Inches: Ø3.03 x 2.80  
mm: Ø77 x 71  
Weight lbs: 0.44  
kg: 0.2  
Housing Cast Aluminium  
Polycarbonate Dome  
Finish Options Silver (STD), Black/White/custom RAL (cost option)  
Fixture Cable and Connections Li9Y11Y 2xAWG16+1xAWG20 - Chogori IP68 Connector  
Fixing Method Mounting Back Plate  
Adjustability N/A  
IP Rating IP67  
IK Rating IK08  
Cooling System Convection  
Operating Ambient Temperature -20°C / +50°C (-4°F / +122°F)  
Operating Temperature +45°C @ Ambient +40°C (+113°F @ Ambient +104°F)

#### CERTIFICATION

Listings CE, RoHS, ETL / cETL

### ArcDot CONNECTION:



#### ACCESSORIES

Cable Connection ArcDot 2.5m  
Cable Connection ArcDot 20m  
Cable Connection ArcDot 25m  
Cable Connection ArcDot 2m  
Cable Connection ArcDot 30cm  
Cable Connection ArcDot 4m  
Cable Connection ArcDot 88m  
other lengths on request  
Terminator Active for ArcDot  
Terminator Passive for ArcDot  
Connector CGRBB-03RMMMA-SC8001 (connector Male)  
Connector CGRBB-03BFFA-SL8001 (connector Female)  
Connector T- CGRBA-030303FFM-TS (T-connector)

# LEaD LiGHT

Experts in LED

**LEaD LIGHT GmbH**

Hoogeweg 132  
47623 Kevelaer

Tel.: +49 2832/975208-0  
Fax: +49 2832/975208-88

Web: [www.LEaD-LIGHT.de](http://www.LEaD-LIGHT.de)  
Mail: [info@LEaD-LIGHT.de](mailto:info@LEaD-LIGHT.de)